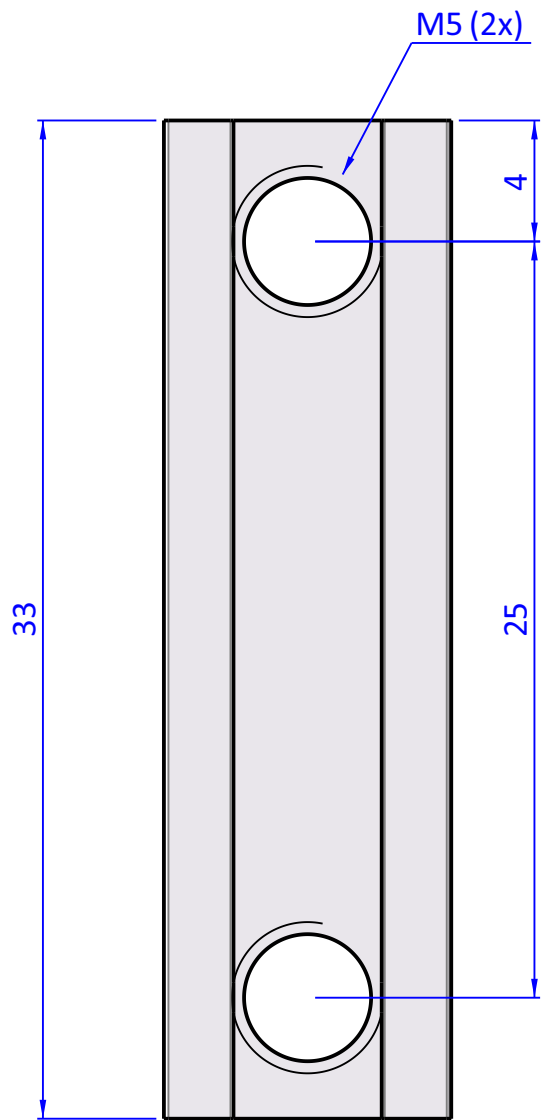
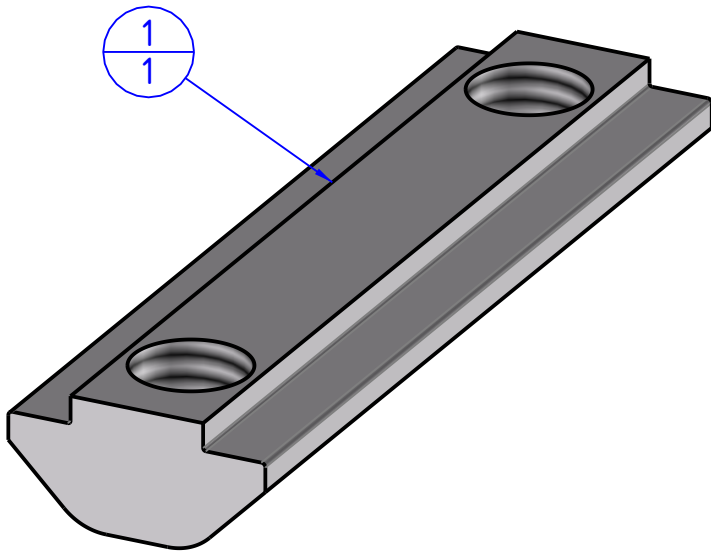
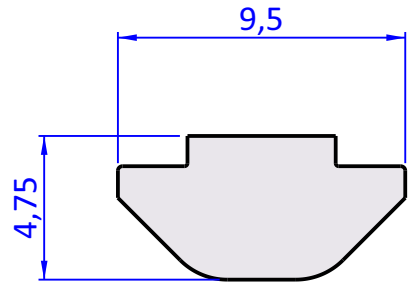

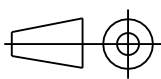


Item	Name	Q.ty
1	GWP.5.25.F	1



THE PROPERTY OF THE DRAWING IS ESTABLISHED BY LAW. IT IS FORBIDDEN TO PRODUCE OR SHOW IT TO THIRD PART, WITHOUT A WRITTEN AGREEMENT.

Format A4 UNI 936-76	 <b>FPS</b> FPSERVICES AUTOMATION		DESIGNED FROM FPS Automation	REVIEW A
			DATE 19/02/2024	WEIGHT 0,003kg
			CODE CA.GWP.5.25.F	
GENERAL TOLERANCE UNI - ISO 2768 CLASSE f	DESCRIPTION CA.GWP.5.25.F			